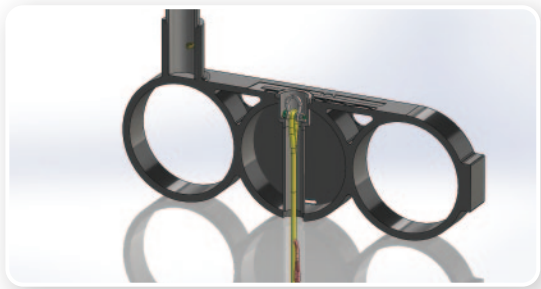


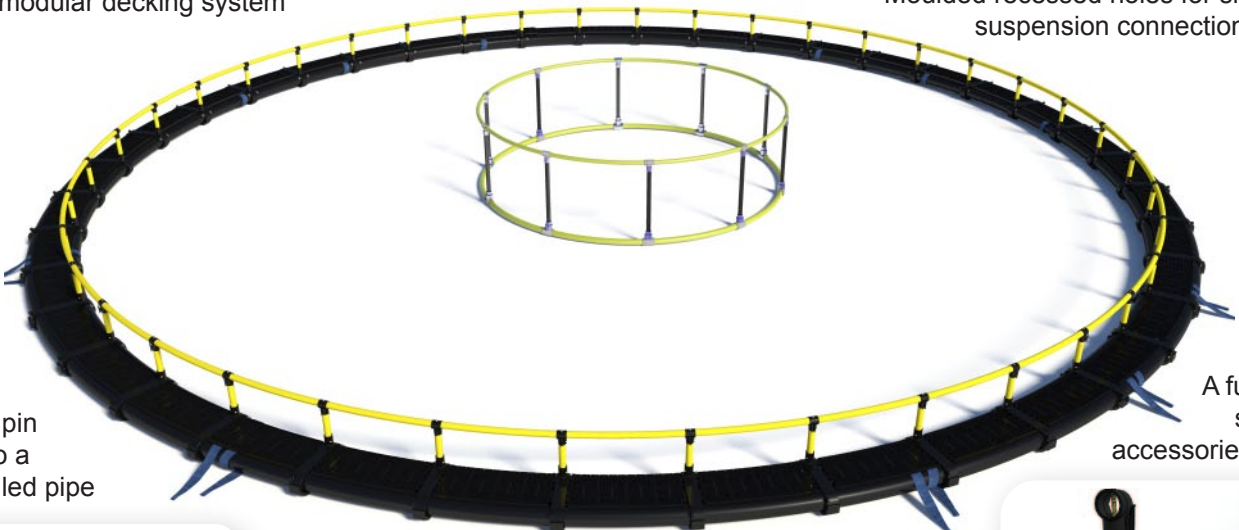
Incorporates a full HSE compliant modular decking system

All pens supplied with a Fusion Marine operation manual

Further product information and a range of customisation possibilities are available on request

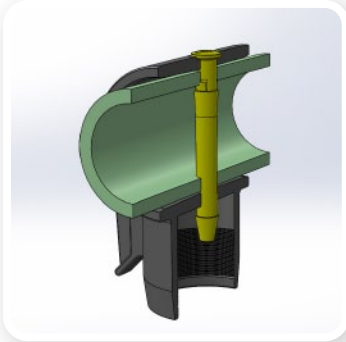


Moulded recessed holes for sinker tube suspension connections



Long handrail pin fitted into a thick walled pipe

A full range of sinker tube accessories available



**Robust** Low Maintenance  
**Corrosion resistant**  
**HSE compliant**  
**Durable Slip resistant**  
**Modular HDPE**



Fusion Marine Limited  
The Marine Resource Centre  
Barcaldine, By Oban, Argyll PA37 1SE  
Scotland UK  
Tel: INT +44 (0)1631 720 730  
Fax: INT +44 (0)1631 720 731  
email: enquiries@fusionmarine.com

Global Aquaculture Solutions  
[www.fusionmarine.com](http://www.fusionmarine.com)

The Triton 450 pen system is based on a tried and tested pipe of 450mm diameter covering pen sizes from 100-180m circumference

### TRITON 450

Pen Code (circumference)	T4501002 (100m)		T4501202 (120m)		T4501302 (130m)		T4501502 (150m)		T4501602 (160m)		T4501802 (180m)	
	T4501003 (100m)		T4501203 (120m)		T4501303 (130m)		T4501503 (150m)		T4501603 (160m)		T4501803 (180m)	
Pen Diameter (m)	31.8		38.2		41.4		47.7		50.9		57.3	
No. of Uprights (variations on request)	40		48		52		60		64		72	
Volume Per 1m of Net Depth (1m <sup>3</sup> )	796		1146		1345		1791		2037		2578	
Pen weight (Ton)	12.7	14.0	15.2	16.7	16.4	18.0	18.8	20.7	20.1	22.1	22.5	24.6
Pen Reserve Buoyancy (Ton)*	20.9	36.5	24.9	43.5	26.9	47.1	31.1	54.2	33.1	57.6	37.1	64.9

\*Calculations are for seawater conditions.

(Fusion Marine Limited reserves the right to make improvements and changes to products and specifications without notice)

### Parts

- 1 2 or 3 Ø450mm polyethylene rings with heavy walled pipe to resist impact and kinking
- 2 Polystyrene (EPS) inner ring infill – middle and outer ring optional
- 3 Ø140mm electrofusion stanchion tee with additional cleat
- 4 Ø140mm stanchion/thick walled handrail
- 5 Heavy duty PE base unit complete with built-in fender and option for sinker tube suspension attachment
- 6 Saddle welded moulded stop to minimise base movement
- 7 Injection moulded modular decking
- 8 Ø90mm retainer pipe used to integrate decking with base units and secured with Electrofusion for a permanent and flexible fix
- 9 Long link galvanised security chain fitted inside inner retaining pipe and secured with shackle
- 10 Injection moulded socket retaining pin
- 11 Injection moulded long handrail pin with central hole for removable hook
- 12 6.8m/8Ton blue duplex mooring strop
- 13 Heavy walled sinker tube pipe closed with electrofusion coupler
- 14 Large diameter chain/wire secured internally with shackle
- 15 3Ton yellow duplex lifting strop
- 16 PE strop guide extrusion welded to crown of pipe either side of lifting point for alignment
- 17 Flexible suspension line available in either rope or chain

